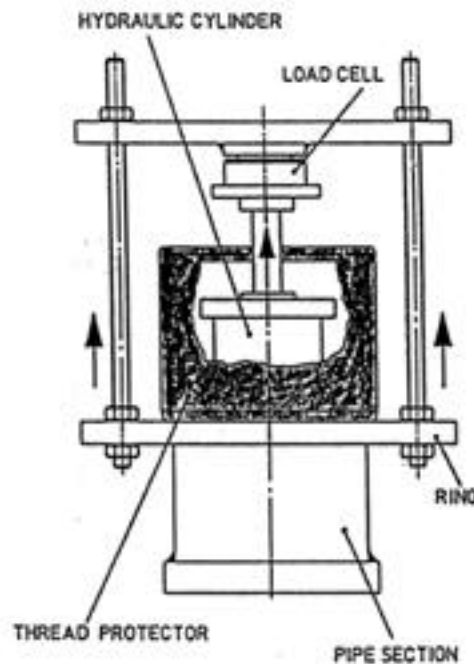


Date: 23.05.1995

**PROTECTOR TEST
DATA SHEET
RESISTANCE TO THREAD STRIPPING**



Type of protector: 3 1/2" NEW VAM, pin end
nominal weight of joint = 10,20 lb/ft

Requirements: Applied axial load = 2,76 kN

Results: Resistance to thread stripping = 35 kN

Test engineer signature

Exquip Reu-GmbH, Auf dem Knuf 10

D-59073 HAMM, Germany

Telephone (0)2381-62266 // Telefax (0)2381-66787

Exquip

THREAD PROTECTORS

Date: 23.05.1995

**PROTECTOR TEST
DATA SHEET
RESISTANCE TO THREAD STRIPPING**



Type of protector: 7"NEW VAM, pin end
nominal weight of joint=29,00 lb/ft

Requirements: Applied axial load = 7,83 kN

Results: The maximum force of the stripping apparatus = 36 kN
no stripping occurred .

Test engineer signature

[Handwritten signature]